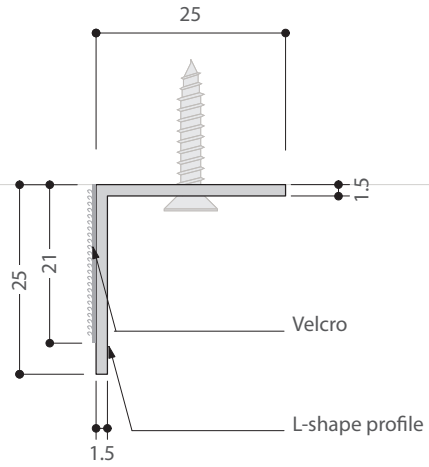
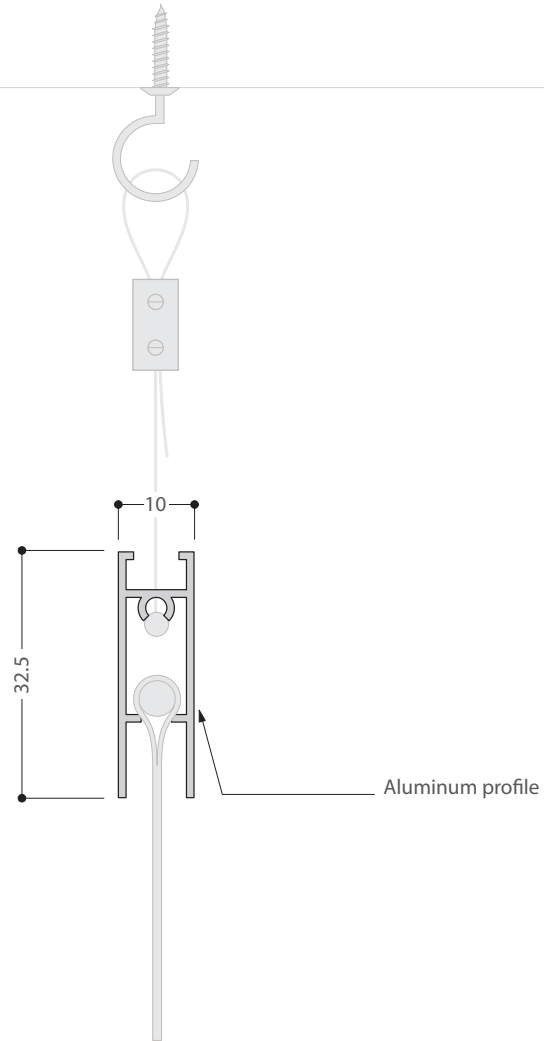


Installation Accessory Dimensions

Velcro Unit



Cable Unit



Sliding Unit & Rail

